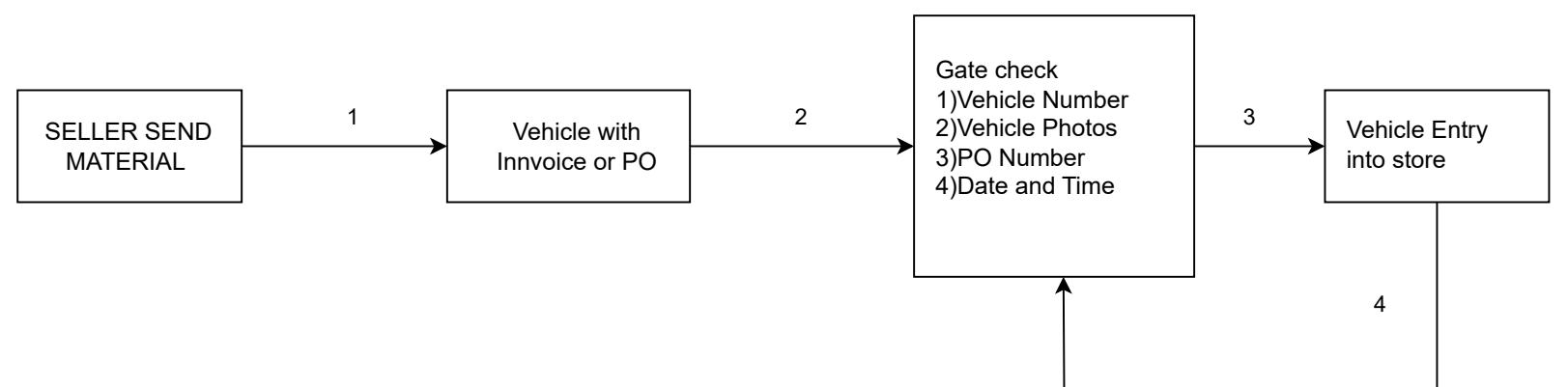


FLOW CHART OF MATE



MATERIAL MIR AND MOR

